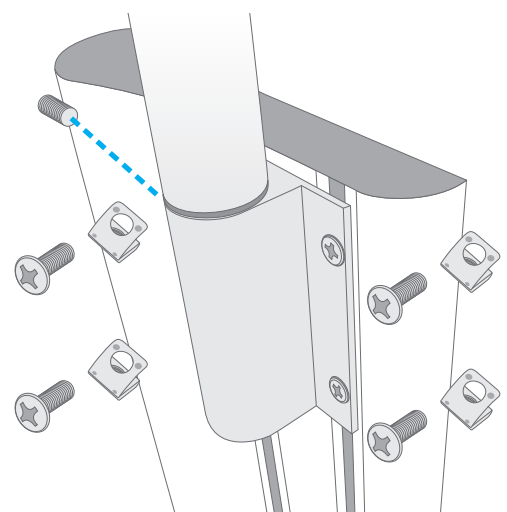




Telescopic boom

for custo cardio 200

Height	0.91 m (measured incl. trunnions)
Height, retracted	0.68 m (measured incl. trunnions)
Horizontal min.	1.00 m
Horizontal max.	1.45 m
Pivoting range	+/- 135°
Tilt adjustment	+ 20° to - 25°
Weight	2.8 kg
Colour	RAL 7035 (light grey)
Length of connecting cable	0.50 m or 0.15 m
Distorsion lock	brake mechanism with retaining screw for fixation of the boom in the desired position
Assembling	with mounting for equipment trolleys



Your authorised custo med dealer

